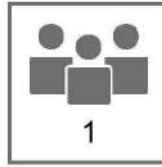
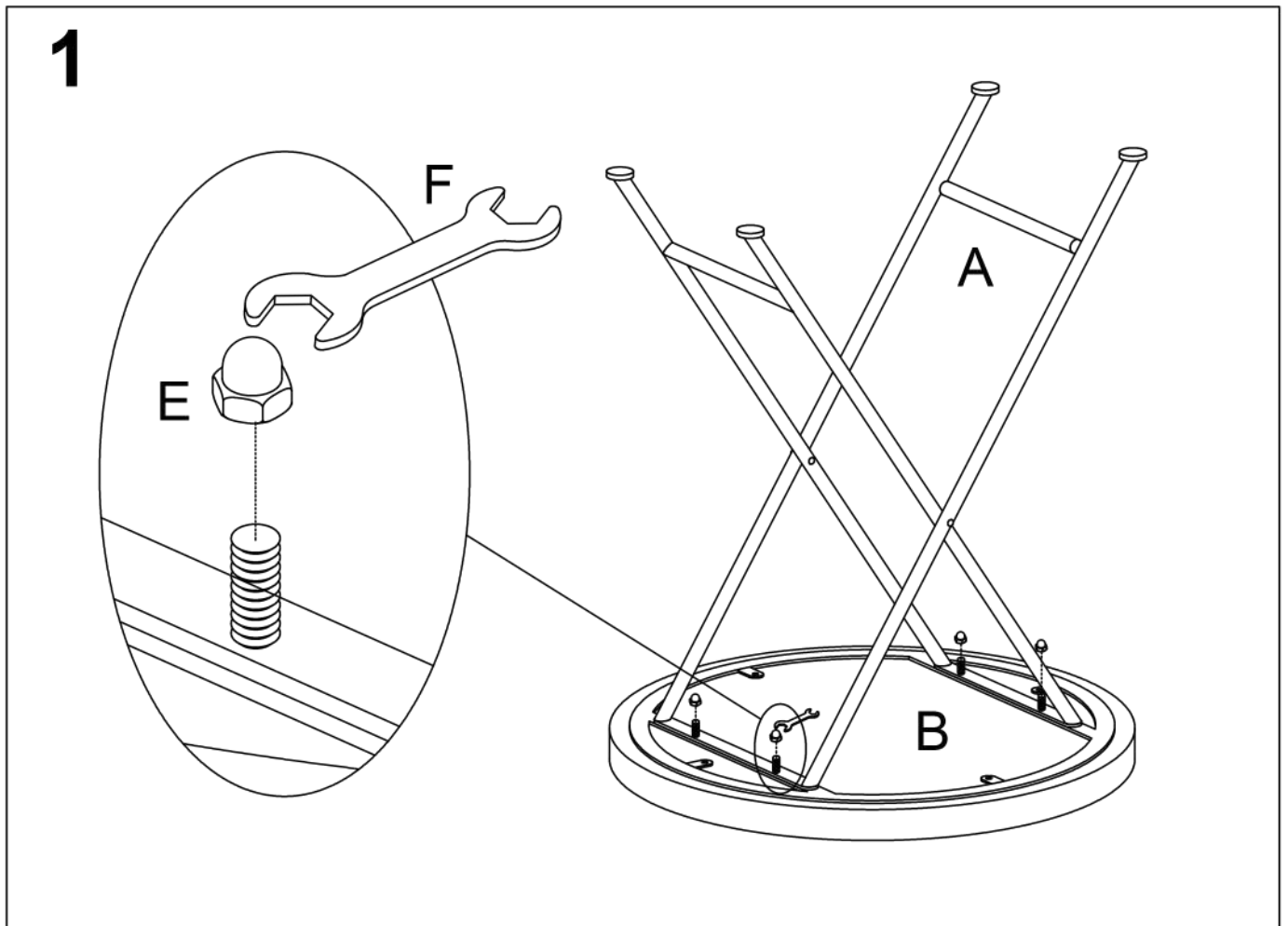


LOBERON

COMING HOME



A X1 	B X1 	C X2 	D X8 	E X4 	F X1
-----------------	-----------------	-----------------	-----------------	-----------------	-----------------



LOBERON

COMING HOME

2

